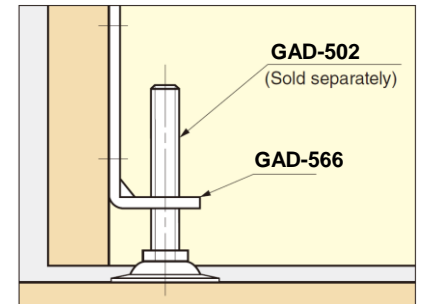
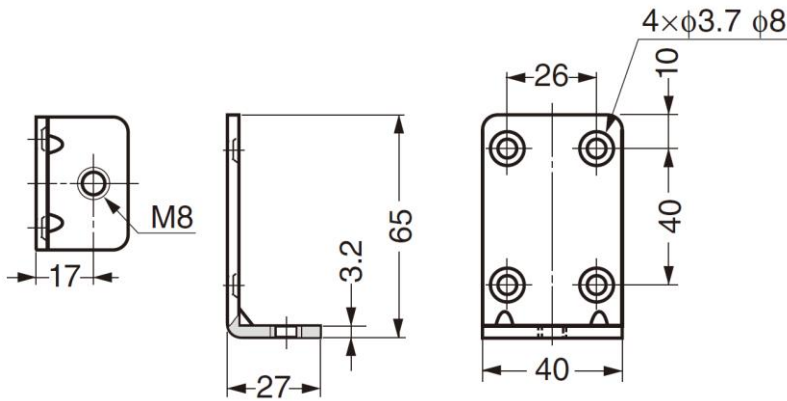
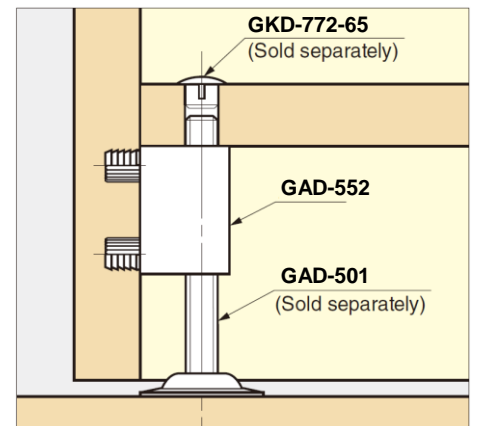
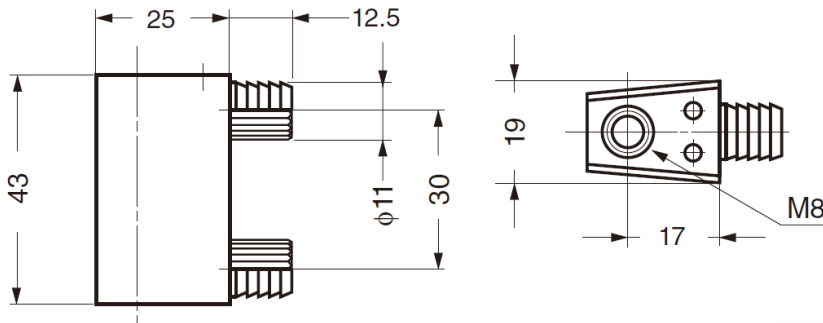


GAD-566 Glide Base



Part No.	Material	Finish
GAD-566	Steel	Yellow Zinc Chromate

GAD-552 Glide Base



Part No.	Material	Finish
GAD-552	Polyamide (PA)	White